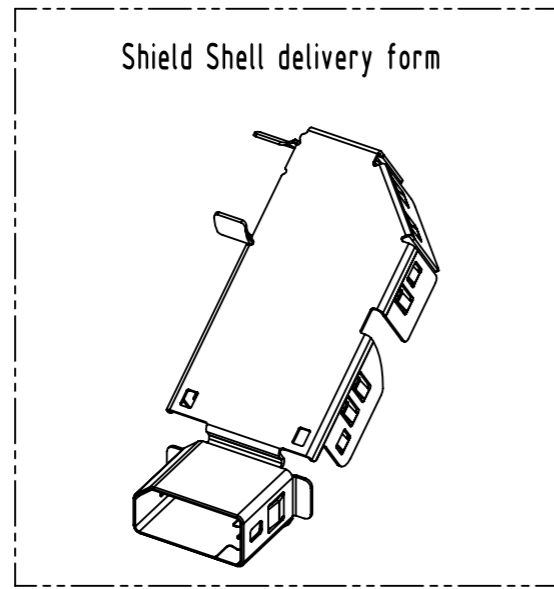


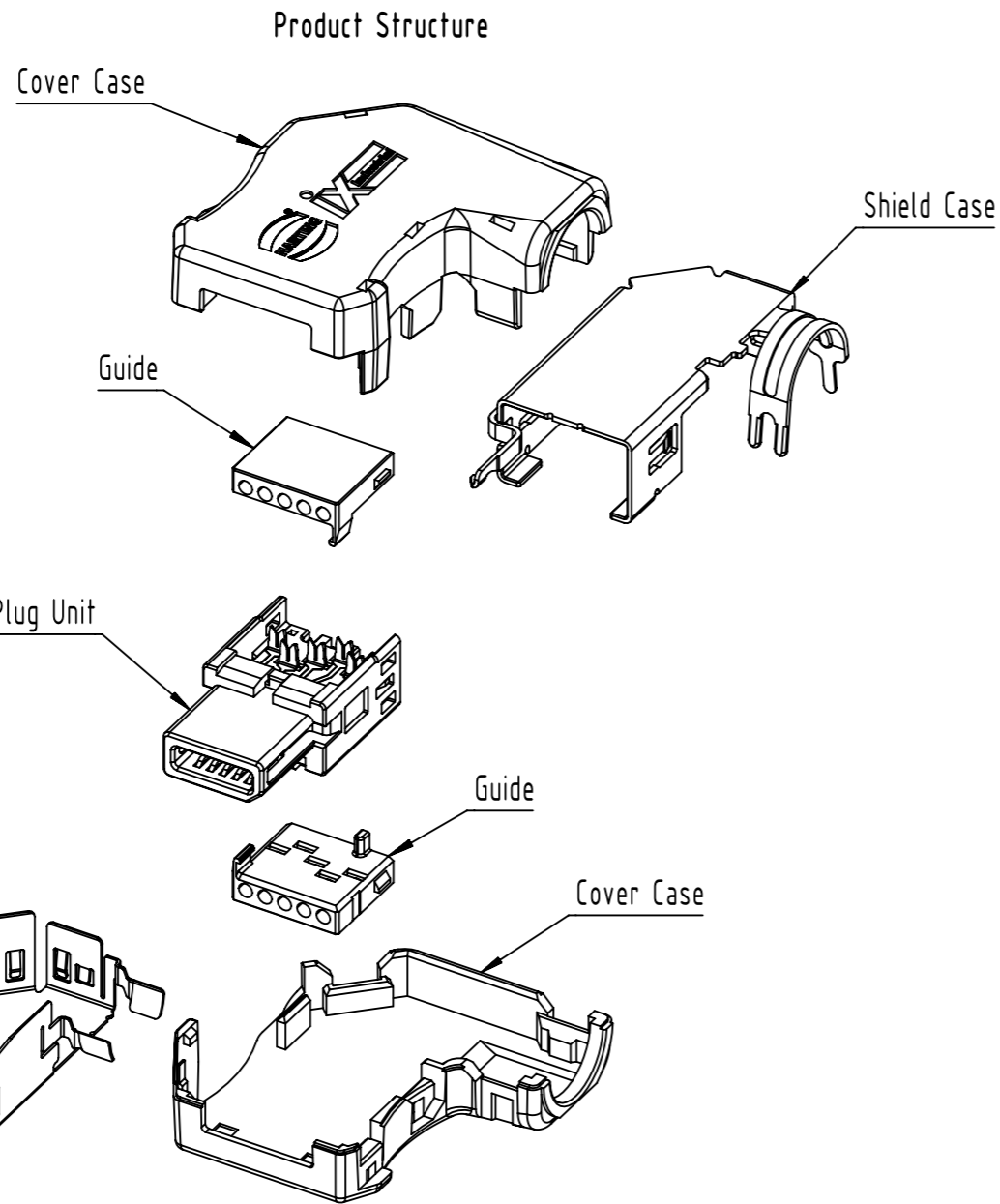
Applicable cable	
Items	Applicable condition
Conductor size	AWG 28-26
Insulation O.D.	$\varnothing 0,95$ to $1,05$ mm
Braid Shield	Tin plating
Sheath O.D.	$\varnothing 5,5$ mm - $\varnothing 7,2$ mm

Contact material: copper alloy
 Contact area: Gold 0,2 μ m min.
 Wiring area: Gold 0,03 μ m min.
 Under plating: Nickel 2 μ m min.

	All Dimensions in mm Original Size DIN A3	Scale 2:1	Free size tol.	Ref.
	All rights reserved Department EL PD	Created by BALSAN	Inspected by PREOTU	Standardisation ROEBEN
HARTING D-32339 Espelkamp	Title ix Industrial 10B-1 plug A3-I26	Date 2022-05-20	State Final Release	Doc-Key / ECM-Nr. 100903667/UGD/000/B 500000216905
	Type TB	Number 09451819026XL	Rev. B	Page 1/2



Shield Shell delivery form



Product Structure

Cover Case

Shield Case

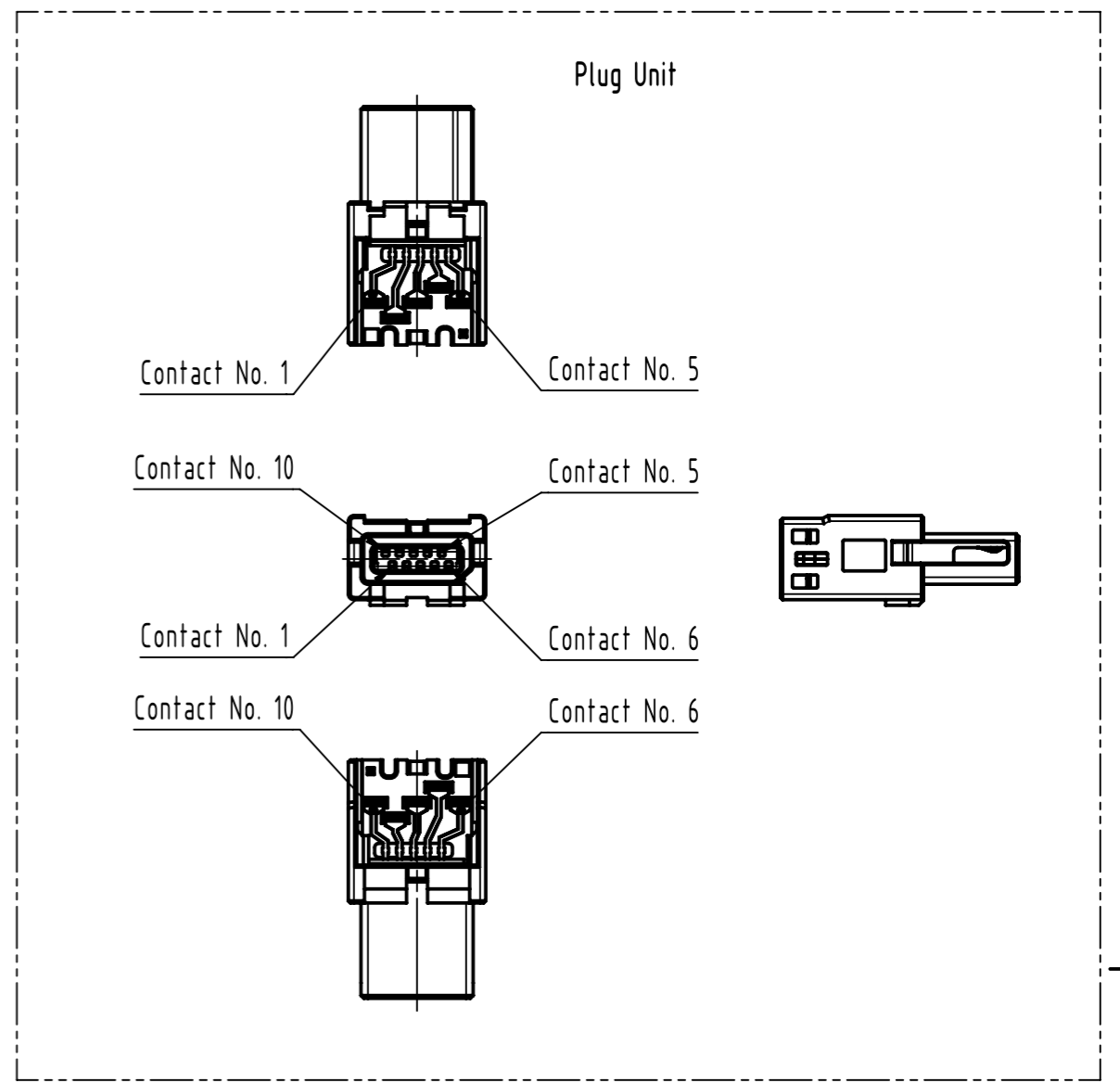
Guide

Plug Unit

Guide

Shield Shell

Cover Case



Plug Unit

Contact No. 1

Contact No. 5

Contact No. 10

Contact No. 5

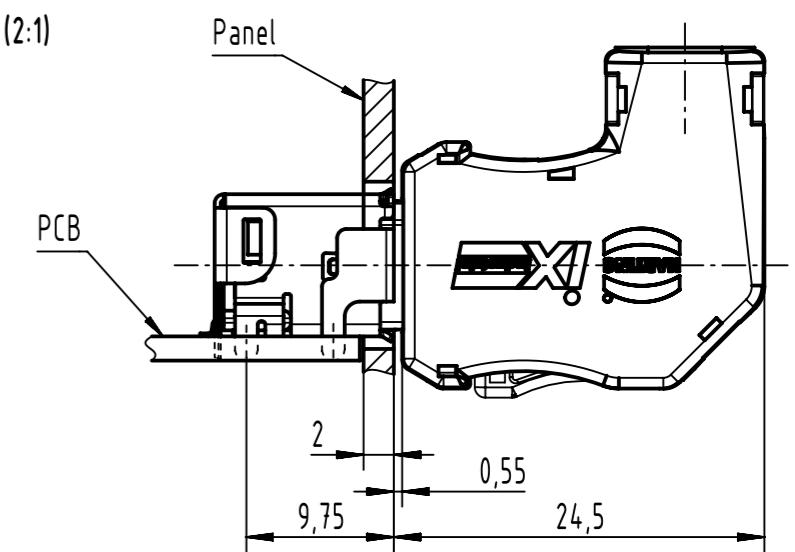
Contact No. 1

Contact No. 6

Contact No. 10

Contact No. 6

Mating condition (2:1)



Panel

PCB

2

0,55

9,75

24,5

	All rights reserved	Created by BALSAN	Inspected by PREOTU	Standardisation ROEBEN	Date 2022-05-20	State Final Release	
	Department EL PD	Title ix Industrial 10B-1 plug A3-I26				Doc-Key / ECM-Nr. 100903667/UGD/000/B 500000216905	
HARTING D-32339 Espelkamp		Type TB	Number 09451819026XL			Rev. B	Page 2/2